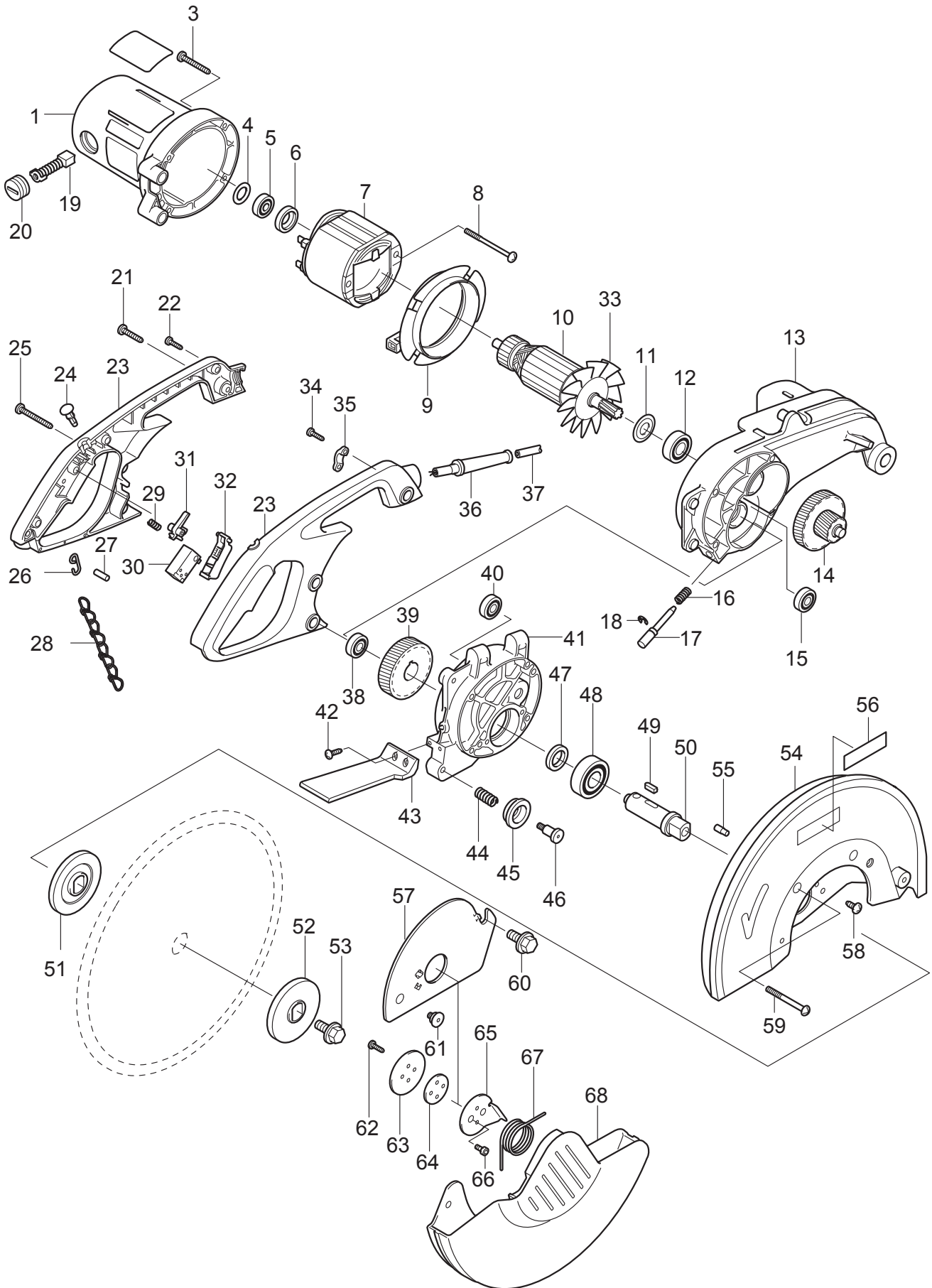
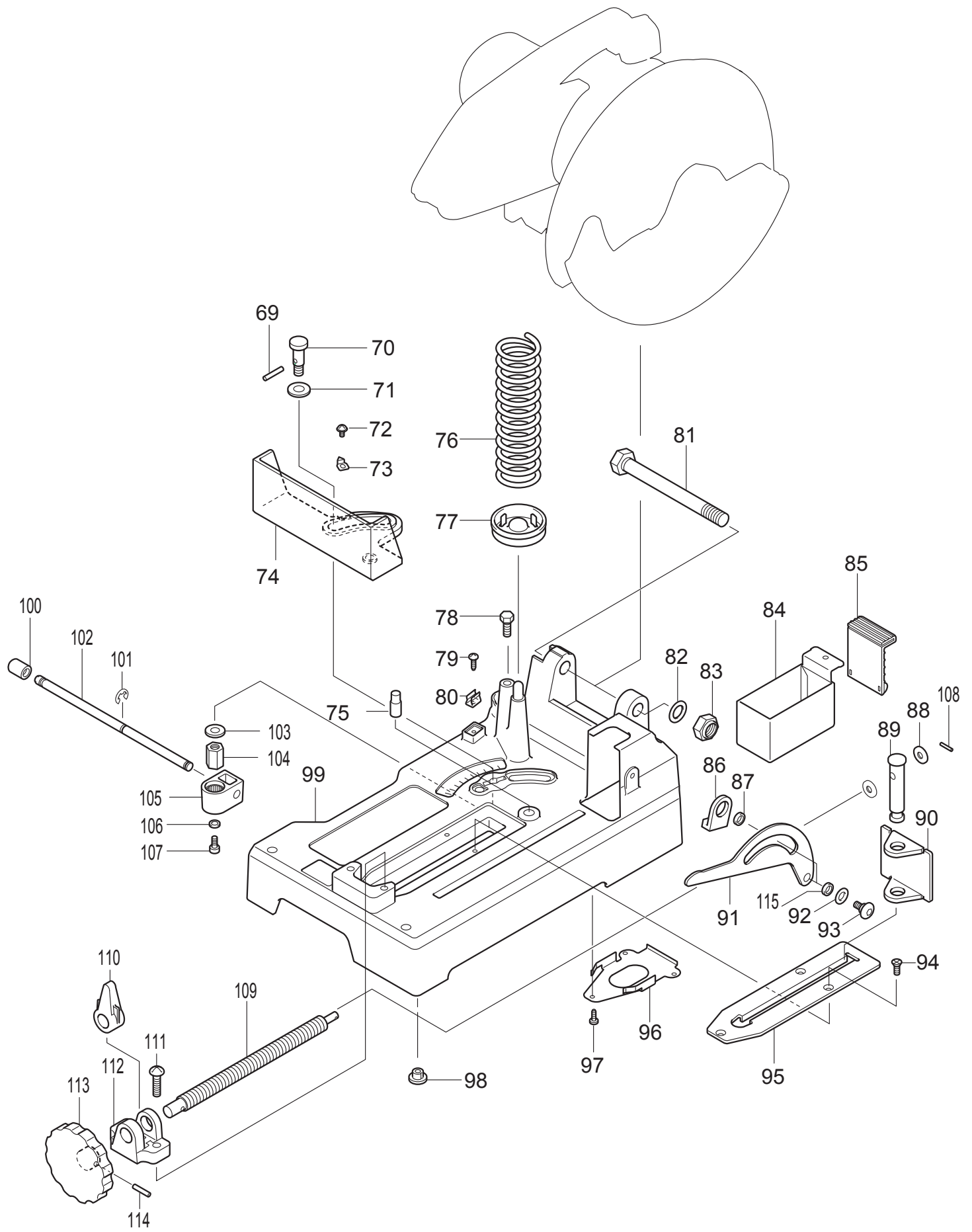




03 - 2010
LC1230
METAL CUTTING SAW





Item No.	Type	Sub	Part No.	Description	Qty	Unit
1			151625-4	MOTOR HOUSING COMPLETE	1	PC.
		INC.	632799-5	SUPPORT UNIT	1	PC.
		INC.	643707-1	BRUSH HOLDER (OLD# 643705-5 - N/L/A)	2	PC.
		INC.	817874-0	CAUTION LABEL	1	PC.
		INC.	817881-3	CAUTION LABEL	1	PC.
3			266028-0	TAPPING SCREW BIND CT 5X40	4	PC.
4			253749-3	FLAT WASHER 16	1	PC.
5	1		210053-3	BALL BEARING 629LLB - N/L/A	1	PC.
	2		211056-0	BALL BEARING 629LLB	1	PC.
	3		210042-8	BALL BEARING 629LLB	1	PC.
6			681633-6	INSULATION WASHER	1	PC.
7			636166-6	FIELD 115V	1	PC.
8			266059-9	TAPPING SCREW 5X75	2	PC.
9			415475-4	BAFFLE PLATE	1	PC.
10			516571-2	ARMATURE ASS'Y 115V	1	PC.
		INC.	241514-2	FAN 92	1	PC.
		INC.		Item No. 56		
11			267714-6	WASHER 15	1	PC.
12			211206-7	BALL BEARING 6202LLB	1	PC.
13			316626-1	GEAR HOUSING (L)	1	PC.
14			226122-0	GEAR COMPLETE 16-44	1	PC.
15			211064-1	BALL BEARING 6000	1	PC.
16			231418-6	COMPRESSION SPRING 9	1	PC.
17			322678-2	SHAFT LOCK	1	PC.
18			961014-3	STOP RING E-8	1	PC.
19	1		191953-5	CARBON BRUSH CB-203 2PC/SET (W/O ORIGIN)	1	SET
	2		194991-6	CARBON BRUSH CB-203 2PC/SET (W/ ORIGIN)	1	SET
20			643700-5	BRUSH HOLDER CAP 7-18	2	PC.
21			266032-9	TAPPING SCREW BIND CT 5X30	1	PC.
22			265995-6	TAPPING SCREW 4X18	4	PC.
23			182628-7	HANDLE SET	1	SET
24			411478-6	SWITCH BUTTON	1	PC.
25			266033-7	TAPPING SCREW BIND CT 5X50	2	PC.
26	1		281207-9	HANGER	1	PC.
	2		281216-8	HANGER	1	PC.
27			256012-3	PIN 6	1	PC.
28			282016-9	CHAIN (10 RINGS) (OLD# 282010-1 - N/L/A)	1	PC.
29			231397-8	COMPRESSION SPRING 4	1	PC.
30			651922-3	SWITCH TG71B	1	PC.
31			415366-9	SWITCH LOCK	1	PC.
32			152463-7	SWITCH LEVER COMPLETE	1	PC.
34			265995-6	TAPPING SCREW 4X18	2	PC.
35			687052-4	STRAIN RELIEF	1	PC.
36			682505-8	CORD GUARD 10-90	1	PC.
37			664463-0	CORD W/PLUG 2P-14-2.5M, SJ	1	PC.
38			211064-1	BALL BEARING 6000	1	PC.
39			226427-8	HELICAL GEAR 38	1	PC.
40			211061-7	BALL BEARING 6000LLB	1	PC.
41			317148-4	GEAR HOUSING R	1	PC.
42			266034-5	TAPPING SCREW CT 4X16	2	PC.
43			416869-6	PROTECTOR	1	PC.
44			231226-5	COMPRESSION SPRING 11	1	PC.
45			415474-6	BLADE GUIDE	1	PC.
46			266030-3	SCREW M6	1	PC.
47			257139-2	RING 20	1	PC.
48			211329-1	BALL BEARING 6204DDW	1	PC.

Item No.	Type	Sub	Part No.	Description	Qty	Unit
49			254229-2	KEY 5	1	PC.
50			323828-2	SPINDLE	1	PC.
51			224308-0	INNER FLANGE 69	1	PC.
52			224379-7	OUTER FLANGE 69 (OLD# 224309-8 - N/L/A)	1	PC.
53			265414-2	HEX. FLANGE HEAD BOLT M10X20	1	PC.
54			183089-4	BLADE CASE SET	1	PC.
		INC.		Item No. 56		
55			256405-4	PIN 6-7	2	PC.
56			819064-1	MAKITA MARK	1	PC.
57			344737-2	CENTER COVER	1	PC.
58			266035-3	TAPPING SCREW BIND CT 5X12	2	PC.
59			911383-2	PAN HEAD SCREW M6X60	4	PC.
60			265414-2	HEX. FLANGE HEAD BOLT M10X20	1	PC.
61			265121-7	+ FLAT HEAD SCREW K6 (OLD# 265020-3 - N/L/A)	1	PC.
62			266034-5	TAPPING SCREW CT 4X16	2	PC.
63			344735-6	CENTER SUPPORT	1	PC.
64			344734-8	CENTER WASHER	1	PC.
65			344736-4	CENTER PLATE	1	PC.
66			922107-1	HEX. SOCKET HEAD BOLT M4X8	2	PC.
67			231643-9	TORSION SPRING 38	1	PC.
68			317152-3	SAFETY COVER	1	PC.
69			256098-7	PIN 5	1	PC.
70			323882-6	COLLARED SHAFT 12	1	PC.
71			253843-1	FLAT WASHER 12	1	PC.
72			911103-4	PAN HEAD SCREW M4X6	1	PC.
73			816128-2	POINTER	1	PC.
74			310086-9	VICE	1	PC.
75			256453-3	PIN 12	1	PC.
76			233103-7	COMPRESSION SPRING 45	1	PC.
77			165066-8	SPRING HOLDER	1	PC.
78			265412-6	HEX. BOLT M8X20	1	PC.
79			266034-5	TAPPING SCREW CT 4X16	1	PC.
80			232075-3	LEAF SPRING	1	PC.
81			265413-4	HEX. BOLT M16	1	PC.
82			253771-0	FLAT WASHER 16	1	PC.
83			252044-8	HEX. NUT M16-24	1	PC.
84			344740-3	DUST BOX	1	PC.
85			421671-4	RUBBER PAD	1	PC.
86			421670-6	CUSHION	1	PC.
87			257222-5	RING 8	1	PC.
88			253731-2	FLAT WASHER 8	2	PC.
89			268040-6	PIN 16	1	PC.
90			344118-0	VICE PLATE	1	PC.
91		1	344738-0	LINK PLATE	1	PC.
		2	346633-0	LINK PLATE	1	PC.
92		1	253139-0	* FLAT WASHER 8	2	PC.
		2	267236-6	* FLAT WASHER 8	2	PC.
93		1	251331-2	* + PAN HEAD SCREW K6	2	PC.
		2	265089-7	* + PAN HEAD SCREW K6	2	PC.
94			912212-2	COUNTERSUNK HEAD SCREW M5X12	3	PC.
95			344119-8	GUIDE PLATE	1	PC.
96			344739-8	UNDER PLATE	1	PC.
97			266026-4	TAPPING SCREW BIND CT 4X12	3	PC.
98			286212-1	CAP 20	5	PC.
99			151623-8	BASE COMPLETE	1	PC.
		INC.	817838-4	CAUTION LABEL	1	PC.

Item No.	Type	Sub	Part No.	Description	Qty	Unit
100			286236-7	CAP 16	1	PC.
101			961014-3	STOP RING E-8	2	PC.
102			323883-4	LEVER ROD 10	1	PC.
103			253024-7	FLAT WASHER 10	1	PC.
104			252161-4	HEX. NUT M10-17	1	PC.
105			151622-0	LEVER HOLDER COMPLETE	1	PC.
106			941152-7	FLAT WASHER 6	1	PC.
107	1		922312-0	HEX. BOLT M6X16	1	PC.
	2		265381-1	HEX. BOLT M6X16	1	PC.
108			951063-8	SPRING PIN 3-16	1	PC.
109			322679-0	VICE SCREW	1	PC.
110			322209-7	VICE NUT	1	PC.
111			911451-1	PAN HEAD SCREW M8X30	2	PC.
112			311949-2	SCREW GUIDE	1	PC.
113			271072-4	HANDLE 100 (Silver) (OLD# 271062-7 (BLK) - N/L/A)	1	PC.
114			951166-8	SPRING PIN 5-24	1	PC.
115			257157-0	RING 8	1	PC.

ACCESSORIES

- See catalogue or visit www.makita.ca for other optional accessories -

A01			782210-8	SOCKET WRENCH 17	1	PC.
A02			192219-6	SAFETY GOGGLE	1	PC.
A03			A-90897	12" C.T.SAW BLADE 60T (F/MILD STEEL)	1	PC.
A04			411478-6	SWITCH BUTTON	2	PC.
A05			A-95803	12" C.T.SAW BLADE 100T (F/MILD, STAINLESS STEEL)	1	PC.

SERVICE CHANGES

1. Changes on Flat Washer 8 and P.H.Scrwe M6

Item No.	Description	Type 1	Type 2
92	Flat Washer 8	253139-0	267236-6
93	+P.H.Screw M6	251331-2	265089-7

Above parts are completely interchangeable as a set.

